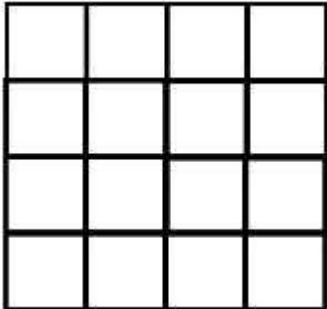
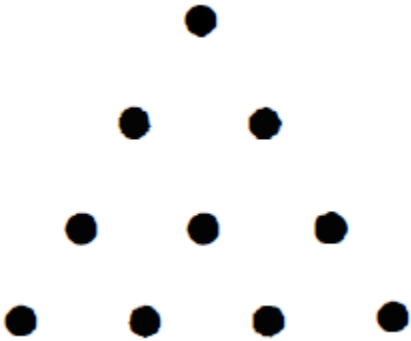


### Thinking Feet Competition Math L1. Sample Problems.

How many squares are there in the four-by-four grid of squares?



How many ways are there to choose three points from the ten equally-spaced points shown to form an equilateral triangle ?

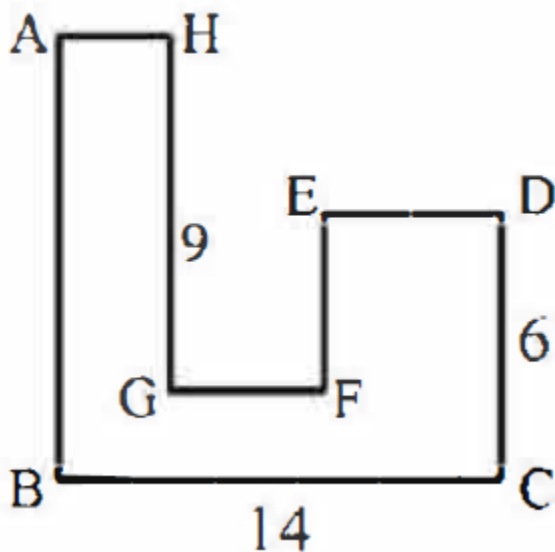


The magic sum is 18 of the following incomplete magic square. Complete the magic square.

	2	7
5		

Each student works at the same speed. If seven students can complete a job in eight days, how many days would it take eight students to complete the same job?

In octagon ABCDEFGH, every side is perpendicular to each of its adjacent sides. What is the perimeter of ABCDEFGH?



Three bags A, B, and C each contains some marbles. First, take out 5 marbles from A and put them into B. Second, take out 10 marbles from B and put them into C. Third, take out 15 marbles from C and put them into A. Now, each bag has 35 marbles. Find the number of marbles in each bag originally.